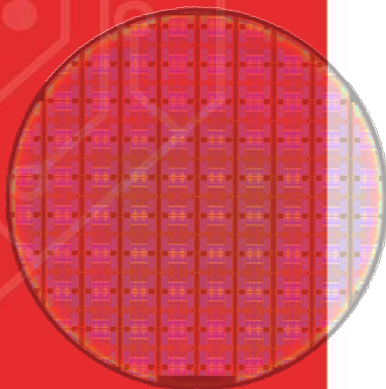
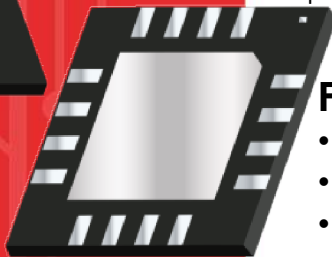
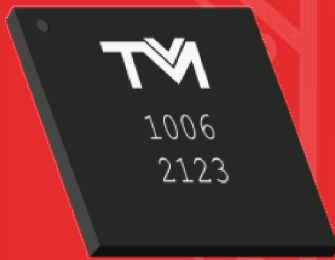




Taiwan Microelectronics Inc.



# TM1006

QFN-3x3 mm-12L

~3GHz Low Noise Amplifier

The TM1006 is a low cost, low noise amplifier IC, designed for GPS (Global Positioning System) application in 1.57542GHz. But also good for WiFi applications in 2.4 ~ 2.5GHz band. It provides 20dB gain and 1.5dB Noise Figure biased on 3.3V/8mA.

The device is packaged in a compact 3mm by 3mm leadless package. The device is a two-stage low noise amplifier, and very low current consumption. So the low noise figure of device can improve the sensitivity of the system, and its very low current consumption can maximize the battery life in portable equipment.

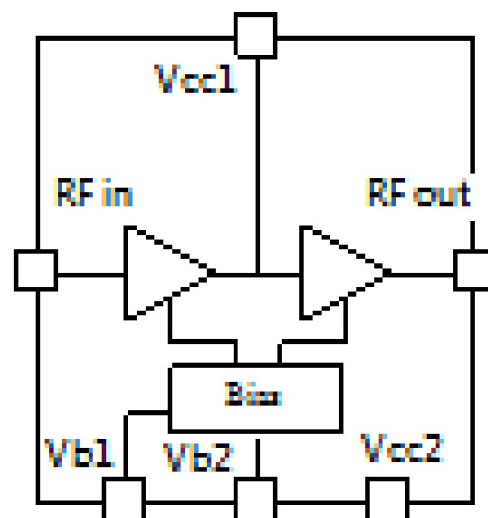
## Features

- Single Supply Voltage of +3.3V nominal.
- 20dB gain at 2.45Ghz with 1.5dB Noise Figure.
- 28.5dB gain at 1.57542GHz with Low noise 1 dB.
- 10.5 mA at Supply Voltage is +5.5V.
- 3mm x 3mm ultra small MCM leadless package.

## Applications

- GPS
- WiFi-6
- Zigbee
- Bluetooth
- And 2.4Ghz portable Terminals

## Functional Block Diagram



[www.taiwanmicro.com.tw](http://www.taiwanmicro.com.tw)