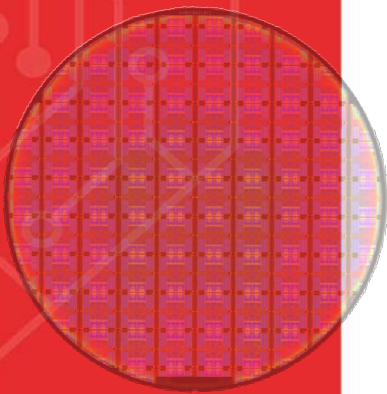




Taiwan Microelectronics Inc.



TM1018

M04 (2x2mm-4L) fully compatible with SOT-343/SC-70
5G/WiFi6 High-Gain Gain Block and LNA MMIC

The TM1018 manufactured on 0.25 um eHEMT process is a low cost, high gain, high power, low noise figure with high efficiency amplifier IC designed for wireless data application over ISM band. The device is packaged in a compact M04-2x2mm-4L package. This high linearity device makes it ideal for 5G and WiFi6 equipment. It provides ultra low noise figure 0.35dB and high power out 20dBm at 6GHz. Its applications are variety and wide. It is the best choice for 5G application.

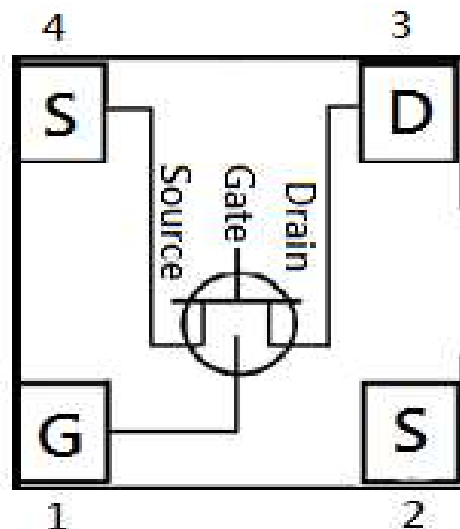
Features

- Power out 20dBm at 6GHz/0.35dB NF at 6GHz
- 10.4dB Power Gain at 6GHz
- Built in M0-4 plastic package
- Green
- MSL-1

Applications

- 5G
- WiFi-6
- Bluetooth™ PA (Class 1)
- Wireless Data Terminal
- Portable Battery Powered Equipment

Functional block Diagram



www.taiwanmicro.com.tw