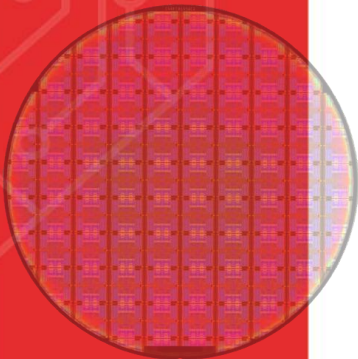




Taiwan Microelectronics Inc.



TM3001

SOT-363 (2x2 mm-6L)

2.4~2.5GHz RF Switch SPDT MMIC

The TM3001 is a pHEMT MMIC SPDT switch in a SOT-363-6 lead plastic package. The TM3001 features low insertion loss and positive voltage operation with low DC power consumption. Typical applications are for the variety of analog and digital wireless communication systems.

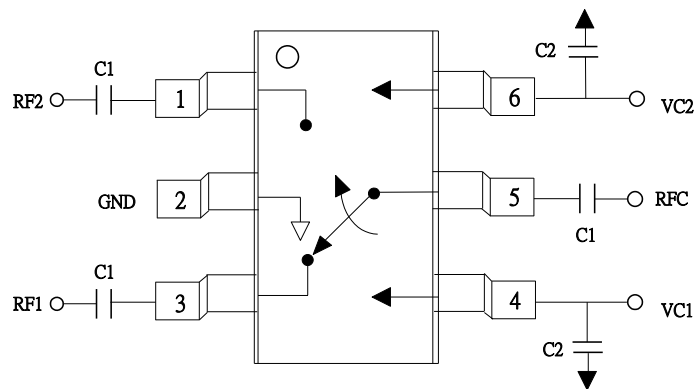
Features

- Insertion Loss: 0.4dB @ 2.5GHz
- P-1dB: +30dBm Typical @ +3V
- IIP3: 55dBm @ Input Power up to 20dBm
- Good Reliability Performance
- SOT-363- 6 Lead Plastic Package
- T/R Switches in 802.11.b/g/n WLAN Systems
- MSL-1, REACH/RoHS compliant

Applications

- WLAN
- Mobile Phone
- Bluetooth
- DECT
- PHS
- GPS

Functional Block Diagram



DC blocking capacitors C1 are required on all RF ports.
C1=56pF, C2=1000pF for operation >500MHz

www.taiwanmicro.com.tw