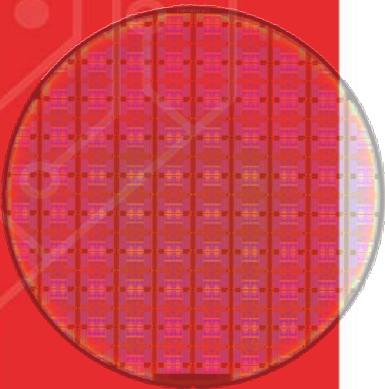
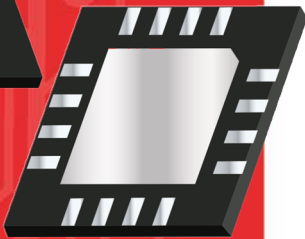
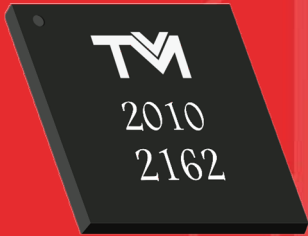




Taiwan Microelectronics Inc.



TM2010(EPA2010)

QFN 3x3mm-16L

WLAN 802.11.b/g/n High Power Amplifier MMIC

The TM2010 is a three-stage linearized power amplifier optimized for 802.11.b/g/n wireless LAN(WLAN) applications in the 2.4 GHz band. It features 33 dB of gain and delivers up to 32.5 dBm of output power.

The device is sold in a RoHS compliant miniature 3 x 3mm 16-pin QFN package to make automated assembly simple. Its small and thin package size makes the device an ideal solution for radios built in small form factors for mobile applications.

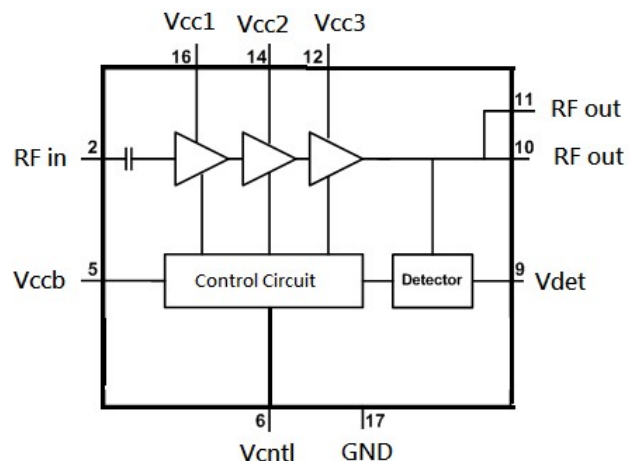
Features

- 2.4 to 2.5 GHz Operating Range
- 33 dB Gain
- 3% EVM at $P_{out}=+26$ dBm with $I_{cc} = 420$ mA @ $V_{ccb}=3.3V, V_{cc}=5V$
- On-chip power detector
- 3 x 3 x 0.85 mm 16-pin QFN Package
- RoHS compliant
- MSL-1

Applications

- IEEE 802.11.b/g/n WLAN Mobile
- 2.4 GHz Cordless Phones
- 2.4 GHz ISM Radios
- Access Points

Functional Block Diagram



www.taiwanmicro.com.tw